

terrier

Heating Controls

Radiator valves with new integral push-fit inlet



terrier

Heating Controls

Radiator valves with new integral push-fit inlet

Terrier is a name which should need no introduction to the professional tradesman. For many years, Terrier radiator valves have enjoyed an unrivalled reputation for quality, reliability and their suitability for a wide range of heating applications. Now that reputation is to be further enhanced with the introduction of the new Terrier Push-fit range.



The new Terrier Push-fit range has been developed using the wealth of knowledge of push-fit fittings and heating controls technology Pegler Yorkshire has built up over many years to deliver an integrated push-fit radiator product that truly offers the best of both worlds. Designed to meet the requirements of the new build sector, Terrier Push-fit successfully combines product quality and speed of installation, whilst being competitively priced.

Speed of installation has been a key consideration and push-fit technology means many fitting complications are removed, greatly saving installation time on site and resulting in significant cost savings. The “push” element of jointing new Terrier Push-fit is instantaneous and the simple, tool-free jointing action requires no secondary operations in awkward areas, which means there is less chance of damaging chrome pipe as a result.



Key features

- Suitable for use with plain and chrome plated copper tube to BS EN 1057 and PEX and PB plastic pipe to BS 7291 Parts 2 and 3
- Integrated push-fit ends in 10mm and 15mm sizes
- Male ended push-fit elbows and straight connectors available separately
- Long life gland packing with rising spindle (manual valves only)
- Maximum water temperature 95°C

The Terrier Push-fit TRV showing the 10mm inlet



Pipe work preparation

1. Select the right size of tube or pipe to be connected to the valve. Ensure ends are clean and free from damage, scores and imperfections. Do not use any additional lubricant or sealing compounds.



For copper tube, cut the tube square using a rotary tube cutter wherever possible, and for plastic pipe use pipe shears. Ensure the tube end is round and cut square.



2. Remove any burrs or sharp edges from the external tube end using a T110 Multipurpose tool from the Tectite accessories range. Also ensure the internal bore is deburred and the tube is wiped clean and free of debris.

3a. Where using Tectite-PEX barrier pipe that has been used on a previous installation, cut the tube back to behind the teeth



marks, ensuring there are no score marks on the pipe. Insert the correctly sized T66 pipe support liner from the Tectite accessories range fully into the pipe.

3b. If 10mm annealed copper tube (R220) is being used, ensure a T67 support liner is fully inserted into the tube.

4. Mark the tube/pipe with the correct socket depth using a marker/

pencil and the T110 Multipurpose tool or with a ruler to 23mm for both 10mm and 15mm valves.



5. When using chrome plated copper tube you must scribe the tube using the T110 tool. Fully insert tube into the T110 and rotate twice whilst firmly pressing the button; check that the tube has been scribed.



Installation instructions

1. Drain down existing system, connecting a hosepipe to the lowest drain off point available.



2. Apply a suitable PTFE based compound or PTFE tape to the threaded end of the tail. Screw 1/2" BSP tail into radiator and tighten using a high quality open ended or adjustable spanner.



4. Remove manual shut off cap and store safely. With the sensor head set to the maximum setting (number 5) position the head so that the setting window can be viewed. Hand tighten the securing ring to fix the head in position.



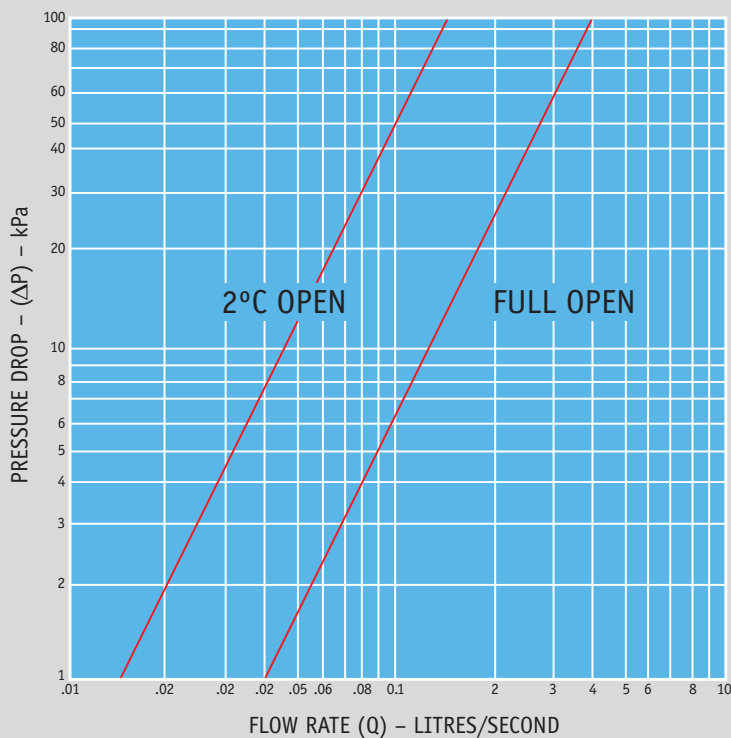
3. Connect the valve body to the tail, ensuring that the compression ring is seated centrally and that the tube makes firm contact with the tube stop in the valve body. Tighten nut, first using your fingers and then finish it by giving it a 3/4 to 1 turn with a high quality open ended or adjustable spanner.



5. Push the tube/pipe firmly with a slight twisting action until it reaches the tube stop with a positive "click".

6. Ensure the depth insertion mark corresponds with the mouth of the inlet, then pull firmly on the tube/pipe to ensure the valve is secure.

Terrier TRV performance: Flow rate/pressure drop



Flow rates at a differential pressure of 0.1 bar				Kv at 2K open	Maximum acceptable differential pressure valve will shut off Δp bar
2K opening		Full open			
l/s	Kg/hr	l/s	Kg/hr	m ³ /hr	
0.053	0.053	0.053	0.053	0.053	0.6



Terrier tube compatibility

Chrome plated copper tube	Yes
Copper tube	Yes
PEX pipe	Yes
PB pipe	Yes

Guarantee

Terrier valves are guaranteed for 5 years against manufacturing defects. To qualify for these guarantees, products must be installed in accordance with our instructions on specified applications.

Specification clauses

The following specification clauses provide the exact wording required to ensure the correct Terrier product is used for the job.

Terrier thermostatic radiator valves specification

"Thermostatic Radiator Valves (TRV) shall be bi-directional approved to EN 215, with double 'O' ring seals. The TRV will be suitable for installing in the vertical orientation. They will have a push-fit inlet, suitable for jointing to plain or chrome plated copper tube to BS EN 1057 or PB and PEX plastic pipe to BS 7291 Parts 2 and 3. Valve bodies manufactured from brass with polished chrome plate finish. Matching hand-wheel, lockshield and drain off lockshield options must be available. TRV's will be suitable for small bore or minibore central heating systems, including combination boilers, working with water pressures of up to 10 bar (non-shock) and a maximum water temperature of 95°C. The thermostatic head will use a low hysteresis wax sensor, supporting a setting range of 7°C to 28°C, there shall be positive shut off when set in the '0' position and frost protection setting of 7°C. They will have a guarantee of 5 years against manufacturing defects and be drawn from the Terrier range from Pegler Yorkshire."

Terrier manual radiator valves specification

"Manual radiator valves shall have a push-fit inlet, suitable for jointing to plain or chrome plated copper tube to BS EN 1057 or PB and PEX plastic pipe to BS 7291 Parts 2 and 3. Valve bodies manufactured from brass to BS 2767, with polished chrome plate finish. Obtainable in hand-wheel, lockshield and drain off lockshield patterns, there will be matching thermostatic radiator valves (TRV) options available. They will be suitable for small bore or minibore central heating systems, including combination boilers, working with water pressures of up to 10 bar (non-shock) and a maximum water temperature of 95°C. They will have a guarantee of 5 years against manufacturing defects and be drawn from the Terrier range from Pegler Yorkshire."

The new range comprises separate TRV, wheelhead and lockshield valves with integral push-fit mechanisms, or as packs which include a separate straight or elbow push-fit connection. The straight fittings and elbows are also available separately in 10mm and 15mm sizes. The range can be used with plastic, copper and chrome pipe.

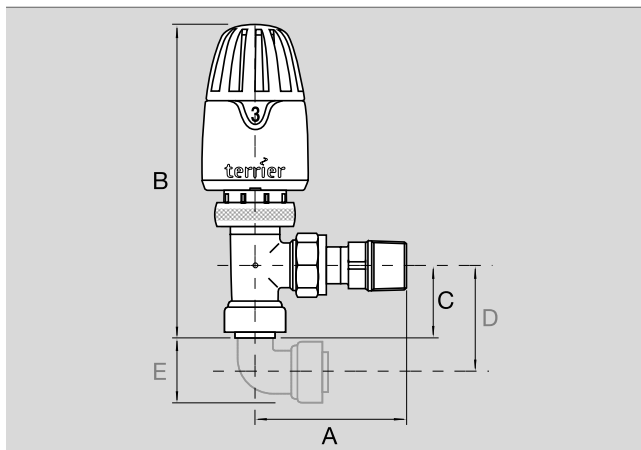
Flexibility

A simple demountable tool has been designed for use with the product, which allows for maximum flexibility in both installation and alignment. This makes Terrier Push-fit the ideal solution should it prove necessary to re-align the pipe work at a later stage.



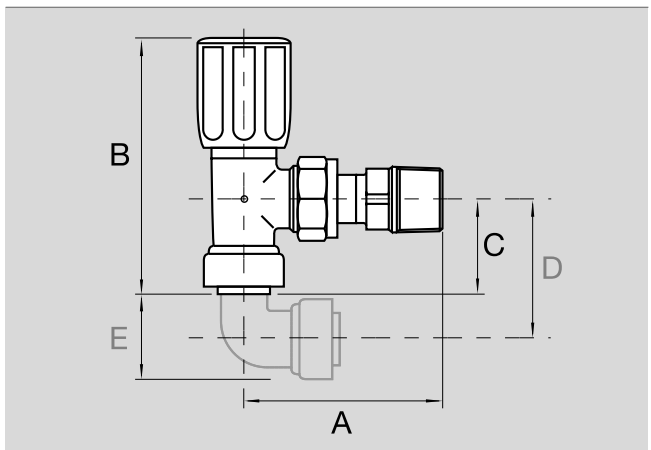
Dimensions

Terrier Push-fit Chrome Plate Thermostatic Radiator Valves



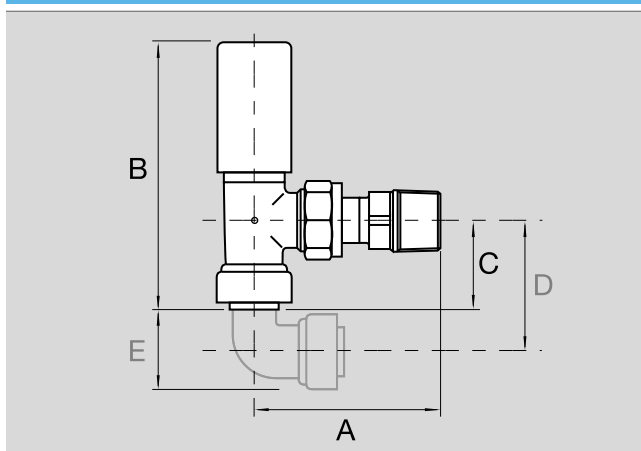
SIZE	A	B	C	D	E
1/2" x 15mm with 10mm elbow	60	133	35	50	27
1/2" x 15mm with 15mm elbow	60	133	35	53	33
1/2" x 10mm	60	133	35	-	-
1/2" x 15mm	60	133	35	-	-

Terrier Push-fit Chrome Plate Wheelhead Radiator Valves



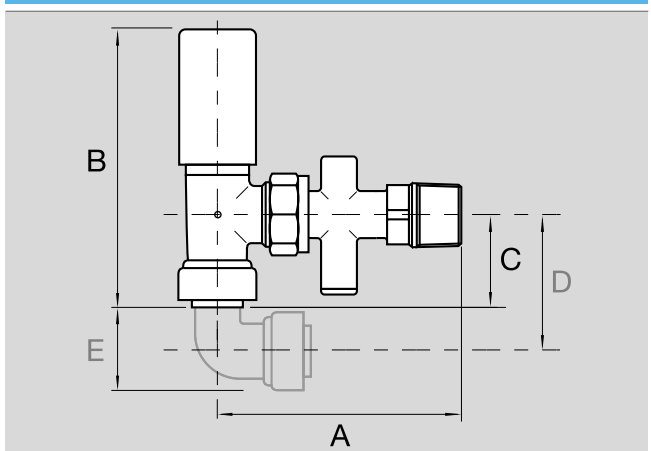
SIZE	A	B	C	D	E
1/2" x 15mm with 10mm elbow	60	84	34	50	27
1/2" x 15mm with 15mm elbow	60	84	34	53	33
1/2" x 10mm	60	84	34	-	-
1/2" x 15mm	60	84	34	-	-

Terrier Push-fit Chrome Plate Lockshield Radiator Valves



SIZE	A	B	C	D	E
1/2" x 15mm with 10mm elbow	60	87	35	50	27
1/2" x 15mm with 15mm elbow	60	87	35	53	33
1/2" x 10mm	60	87	35	-	-
1/2" x 15mm	60	87	35	-	-

Terrier Push-fit Chrome Plate Drainable Lockshield Radiator Valves



SIZE	A	B	C	D	E
1/2" x 15mm with 10mm elbow	77	87	35	50	27
1/2" x 15mm with 15mm elbow	77	87	35	53	33
1/2" x 10mm	77	87	35	-	-
1/2" x 15mm	77	87	35	-	-

terrier

Heating Controls



Terrier Manual Radiator Valves – Integral Push-fit inlet

367PF CPWH
Angle pattern wheelhead
with elbow
Chromium Plated



SIZE	BOX QTY	CODE
15mm x 1/2" (10mm elbow)	10	661201
15mm x 1/2" (15mm elbow)	10	661202

367PF CPWH
Angle pattern wheelhead
Chromium Plated



SIZE	BOX QTY	CODE
10mm x 1/2"	10	661203
15mm x 1/2"	10	661204

367PF CPWH
Angle pattern wheelhead
with elbow
Chromium Plated



SIZE	BOX QTY	CODE
15mm x 1/2" (10mm elbow)	10	661205
15mm x 1/2" (15mm elbow)	10	661206

367PF CPLS
Angle pattern lockshield
Chromium Plated



SIZE	BOX QTY	CODE
10mm x 1/2"	10	661207
15mm x 1/2"	10	661208

367PF CPDLS
Angle pattern drainable
lockshield with elbow
Chromium Plated



SIZE	BOX QTY	CODE
15mm x 1/2" (10mm elbow)	10	661209

Terrier Thermostatic Radiator Valves – Integral Push-fit inlet

TRV PF
Thermostatic radiator valve
with elbow
Chromium Plated



SIZE	BOX QTY	CODE
15mm x 1/2" (10mm elbow)	10	662201
15mm x 1/2" (15mm elbow)	10	662202

TRV PF
Thermostatic radiator valve
Chromium Plated



SIZE	BOX QTY	CODE
10mm x 1/2"	10	662203
15mm x 1/2"	10	662204

Terrier Radiator Valve Packs – Integral Push-fit inlet

TRV PF & 367PF CPLS
Lockshield pack
Chromium Plated



SIZE	BOX QTY	CODE
15mm x 1/2" (10mm elbow)	10	662205

TRV PF & 367PF CPLS
Lockshield pack
with elbows
Chromium Plated



SIZE	BOX QTY	CODE
15mm x 1/2" (10mm elbow)	10	662206

TRV PF & 367PF CPDLS
Drainable lockshield
pack with elbows
Chromium Plated



SIZE	BOX QTY	CODE
15mm x 1/2" (10mm elbow)	10	662207

Terrier Integral Push-fit Connectors

Elbow connector
Use with Compression or
Integral Push-fit valve inlet
Chromium Plated

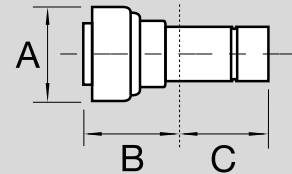


SIZE	BOX QTY	CODE
15 x 10mm	20	7P1010
15mm	20	7P1012

Straight connector
Use with Compression or
Integral Push-fit valve inlet
Chromium Plated



SIZE	BOX QTY	CODE
15 x 10mm	20	7P1011
15mm	20	7P1013



SIZE	A	B	C
15 x 10mm	22.5	23	23
15mm	27.5	30	23

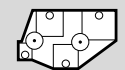
Terrier Accessories

Release tool
Use with Integral Push-fit
valve inlet



SIZE	BOX QTY	CODE
10mm	5	7P1014
15mm	5	7P1015

T110 – Multipurpose tool
Deburring/Depth gauge/Scribe,
Use with Integral Push-fit
valve inlet



SIZE	BOX QTY	CODE
N/A	1	7P1016

The perfect commercial partnership



Pegler is an expert in the production of Taps, Mixers and Valve products. It boasts an unrivalled track record for integrity, quality, reliability and innovation.



Yorkshire is a specialist in the production of metal plumbing and heating fittings. It has an established reputation for manufacturing quality products.

Our world leading brands



PRESTEX



PERFORMA

Yorkshire Tectite XPress

Kuterlite Endex Proflow

www.pegleryorkshire.co.uk

For further information, please contact your appropriate sales office

UK Northern team
Tel: 0870 1200281
Fax: 01302 560108

UK Southern team
Tel: 0870 1200282
Fax: 01302 560458

UK Western team
Tel: 0870 1200283
Fax: 01302 560109

UK Eastern team
Tel: 0870 1200282
Fax: 01302 560458

Export
Tel: +44 (0) 1302 855656
Fax: +44 (0) 1302 730513

uk.sales@pegler.co.uk
export@pegler.co.uk

Pegler Limited, St. Catherine's Avenue, Doncaster, South Yorkshire, DN4 8DF.

Registered Company No. 01194543.
Place of Registration: England.

All brand names and logo styles are registered trademarks.