

PRESTEX

402HF3 In-line mixing valve



- Thermostatic mixing valve
- Compact t-shape design
- Chrome plated gunmetal body
- Conforms to BS7942
- WRAS approved product
- 22mm compression connections
- High flow rate for bath fill
- Buildcert TMV3 scheme approved (NHS D08) BC 3210907



PRESTEX In-line

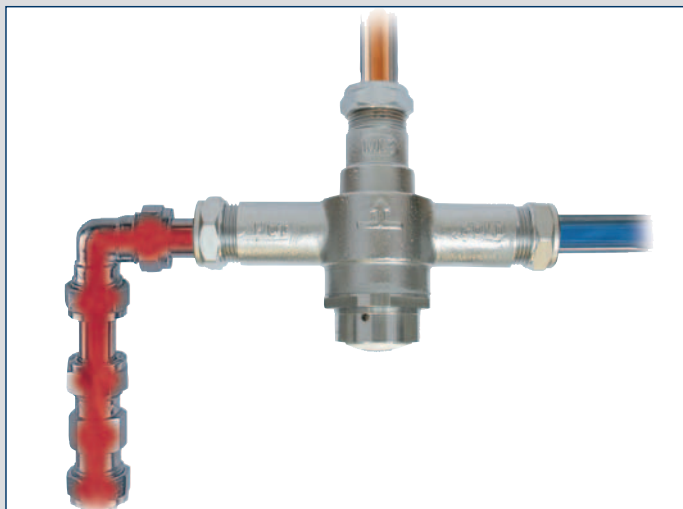
Prestex in-line mixing valves are designed to eliminate the risk of scalding and are suitable for use in a wide range of public, health care, social, commercial and domestic applications.

- Suitable for sinks, wash basins, bath, bidets, single point showers, hair wash sprays and domestic hot water systems.
- Simple to install and service.
- Temperature pre-set to 43°C, but easily adjustable on site.
- WRAS approved for a wide variety of uses.
- BUILDCERT TMV3 Scheme approved.
- Complies with NHS Model Engineering Specification DO8.
- Standard 22mm connections on 402HF3.

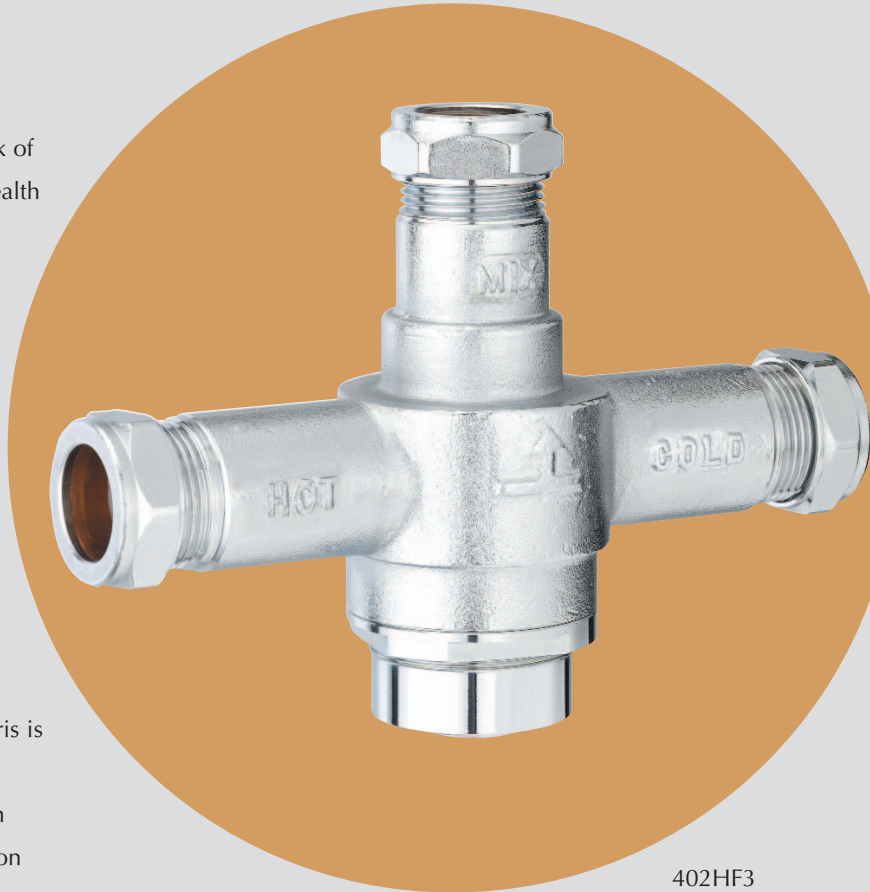
Installation

The 402HF3 is supplied with internal strainers but where debris is a particular problem we recommend the fitting of serviceable external strainers. The 402HF3 can be fitted in any orientation provided the hot and cold supplies are connected as marked on the valve body (C = cold supply H = hot supply).

The Prestex 402HF3 is supplied with 22mm pipe connections as standard, but adaptors to accept 15mm can be ordered from the Prestex fittings range (102/3/4 733048).



Note: We would recommend the fitting of servicing valves on the inlet supplies to aid any future isolation requirements for 402HF3. To ensure proper performance of the 402HF3 range the isolation valves should always be fully open during operation.



402HF3

Adjustment

The valve is supplied pre-set at approximately 43°C. The valve must be adjusted to suit conditions on site.

In Service Testing

It is recommended that the service procedure in the NHS Document DO8 is followed, details are included with each product.

Maximum continuous temperatures during testing should not exceed the following values:

Bidet 40°C	Shower 43°C	Washbasin 43°C
Bath 44°C	Bath 46°C	

If it is found to be impossible to obtain the correct setting point a service is required. The Prestex 402HF3 should not normally require part replacement. However a full range of spares is available on request.

mixing valve 402HF3

Approvals

The Prestex 402HF3 has been approved by WRAS for the following uses:-

Code	Operating Range	Application
HP-T44	High Pressure	Bath with fill temperature up to 44°C
LP-T44	Low Pressure	Bath with fill temperature up to 44°C

Under the terms of the BUILDCERT TMV3 Scheme the valve must be installed under the following conditions:-

Operating Pressure Range	High Pressure	Low Pressure
Maximum static pressure (bar)	10	10
Flow pressure, hot and cold (bar)	1 - 5	0.2 - 1
Hot supply temperature (°C)	52 - 65	52 - 65
Cold supply temperature (°C)	5 - 20	5 - 20

Note: Valves operating outside these conditions cannot be guaranteed to operate as type 3 Valves. The use of a Pressure Reducing Valve to achieve balanced supply conditions is recommended where necessary.

Technical specification

	General operating parameters	TMV3 approved parameters
Minimum mixed temperature	30°C	38°C
Maximum mixed temperature	50°C	46°C
Maximum temperature deviation	+/- 2°C	+/- 2°C
Maximum hot inlet temperature	85°C	65°C
Maximum hot/cold cold/hot inlet pressure ratio	5 to 1	N/A
Maximum static pressure	12 bar	10 bar
Minimum dynamic flow pressure	0.1 bar	0.2 bar
Minimum hot inlet to mixed outlet temperature differential	10°C	10°C
Flow with 0.2 bar differential pressure loss	18L/M	9.0L/M
Flow 1.0 bar differential pressure loss	45L/M	18L/M

General Specification

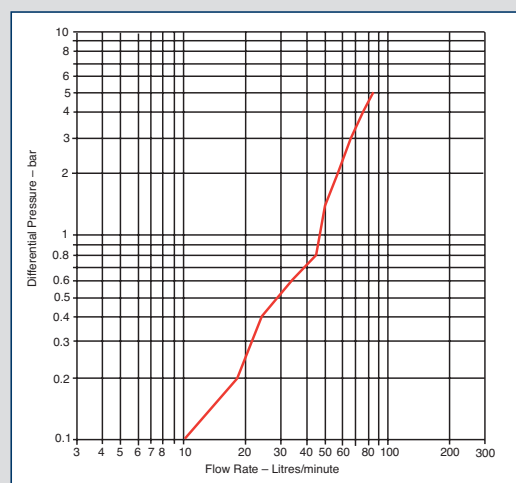
Materials: Chrome plated gunmetal

Surface Finish: Chrome plate

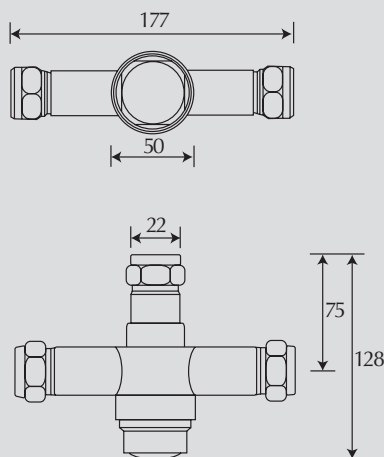
Water Connections: 22mm compression

Flow rate

The flow rate is given under balanced inlet conditions



Dimensions

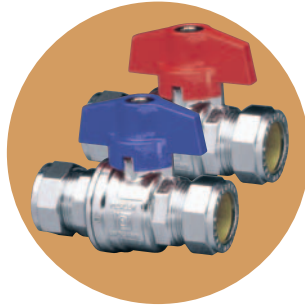


WRAS
APPROVED
PRODUCT



ASSOCIATED PEGLER PRODUCTS

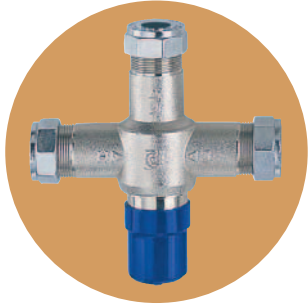
Bulldog PB300T quarter turn
tee handle ball valves



Prestex PRV-2 pressure
reducing valve



Leger 555 bath/thermostatic shower mixer



402H in line thermostatic mixing
valve, 22/15mm connections (TMV3)



404UA in line thermostatic mixing valve
(TMV2) with angle service valves.



Pegler is an expert in the production of Taps,
Mixers and Valve products. It boasts an unrivalled
track record for integrity, quality, reliability
and innovation.



Yorkshire is a specialist in the production of
metal plumbing and heating fittings.
It has an established reputation for manufacturing
quality products.

PRESTEX

Valves and Fittings

For further information, please contact
your appropriate Sales Office

UK

Northern Team
0870 1200281 Fax: 01302 560108
north.sales@pegler.yorkshire.co.uk

Southern Team
0870 1200282 Fax: 01302 560458
south.sales@pegler.yorkshire.co.uk

Eastern Team
0870 1200282 Fax: 01302 560458
east.sales@pegler.yorkshire.co.uk

Western Team
0870 1200283 Fax: 01302 560109
west.sales@pegler.yorkshire.co.uk

EXPORT

Telephone: +44 (0) 1302 855656
Fax: +44 (0) 1302 730513
export@pegler.yorkshire.co.uk

Technical helpline: 0870 1200285



Pegler Limited, St. Catherine's Avenue, Doncaster,
South Yorkshire, DN4 8DF, England.

www.pegler.yorkshire.co.uk

Registered Company No. 01194543. Place of Registration: England

All brand names and logo styles are registered trademarks.

Maintaining a policy of continual product development,
Pegler Ltd reserve the right to change specifications, design and
materials of products listed in this leaflet without prior notice.

LIT.REF: 880234.12.07