

PERFORMA

Utility Tap Solutions

The Leger L555 Thermostatic Bath/Shower Mixer

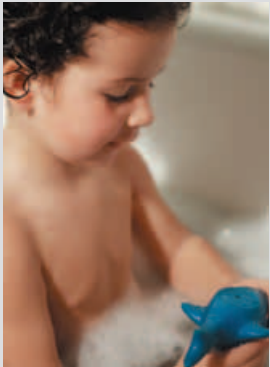


The Thermostatic
Bath/Shower Mixer that combines
so many important benefits for
~~Registered~~ **Social Landlords**
Responsible



Pegler

Your safest choice in mixers, whatever the application



The most responsible Registered Social Landlords take their duty of care to residents very seriously – which is why the new Leger L555 thermostatic bath/shower mixer is such a welcome and valuable addition to Pegler's successful Leger bathroom range.

Severe scalds in seconds

The degree of scalding depends on the temperature and volume of hot water, and the length of time the body is exposed to it.

However, it can take only seconds for a severe scald to occur.

Research (Waller et al, 1993) indicates that: *As the temperature of*

Temp. °C	Exposure Time
44	6 Hours
49	9 Minutes
51	2 – 6 Minutes
52	2 Minutes
55	20 – 30 Seconds
60	5 – 6 Seconds
66	2 Seconds
70	1 Second

the water increases above 50°C, the duration of exposure needed to suffer third-degree burns decreases rapidly. Healthy adult skin requires 30 seconds of exposure to water at 54°C – 55°C before third-degree burning occurs, but only 5 seconds at 60°C and less that

one second at 70°C. However, the skin of children and the elderly is even more sensitive to extreme temperatures.

Source: Building Research Establishment

The impact of severe scalds on the vulnerable

Severe scalds can result in long-term disability and disfigurement, and can be among the most distressing and painful injuries a child or elderly person can receive. Apart from many years of surgery and hospital treatment, they may also endure a lifetime of scarring, prolonged psychological trauma, social alienation and educational difficulties. Scalds can also have long-term repercussions for families and are very costly for the health service.

Source: Building Research Establishment

High performance at low pressure

Designed to prevent any possibility of scalding, the new Leger L555 thermostatically-controlled bath/shower mixer works even where dynamic pressure is low (in the range of 0.1 – 0.2 bar).

Satisfies every application

Social housing, public utilities, commercial and domestic properties: the versatile Leger L555 thermostatic bath/shower mixer is perfectly suited to a wide variety of applications.

Fit for any installation

Whatever the nature of the installation, and whatever the job calls for, new Leger L555 simply goes with the flow from gravity-fed to pump systems, from balanced to unbalanced hot and cold both sides.

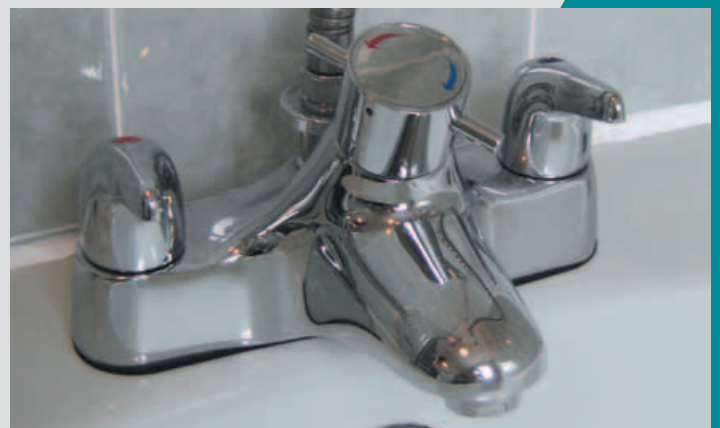
The highly efficient, cost-saving alternative to electric showering

Installing a new, cost-effective Leger L555 thermostatic bath/shower mixer in preference to an electric shower makes sound economic sense in so many ways. For example:

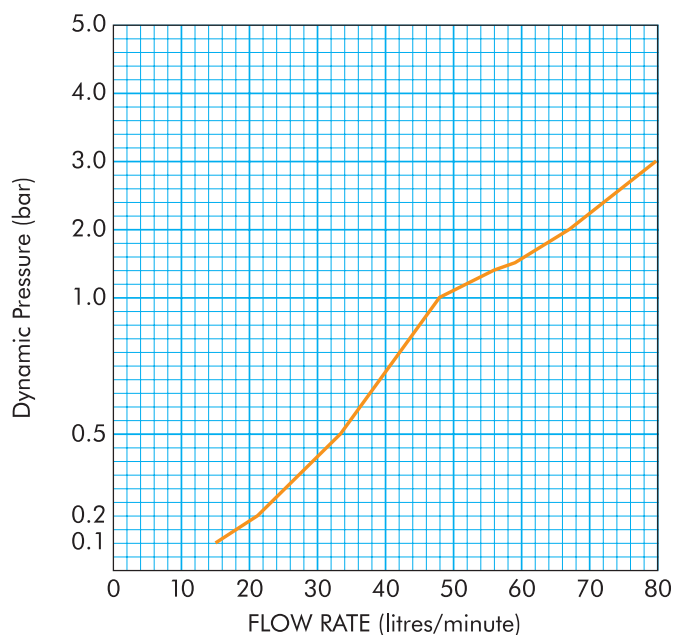
Saving on the cost of purchasing an electric shower or separate bath taps. It saves on the cost of installing a radial ringmain, as well as the services of employing an electrician and a plumber.

Other key benefits and features include:

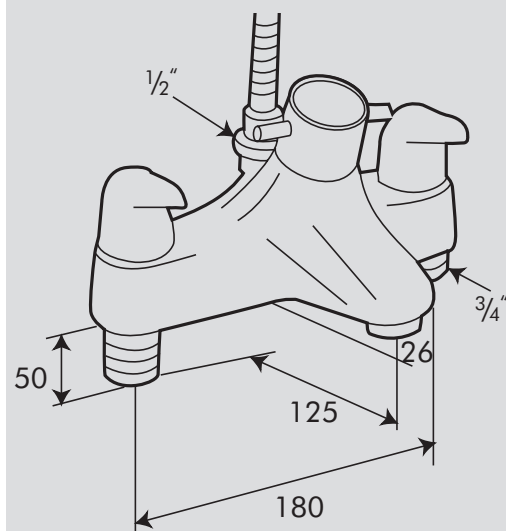
- Easy to operate.
- Simple to install and service.
- Temperature pre-set to 46°C maximum.
- WRAS approved.
- Addresses important health and safety issues.
- 5-year spares availability.
- 5-year warranty.



Leger L555 Thermostatic Bath/Shower Mixer Flow Chart



— L555 – Thermostatic Bath/Shower Mixer – Both Sides (Combined equally balanced)



Pressure

- Minimum working pressure on ceramic disc cartridges 0.1 bar (Dynamic)
- Minimum working pressure for diverter without locking mechanism = 0.2 bar
- Maximum working pressure on ceramic disc cartridges 6.0 bar (Static)

FINISH	ORDER CODE
CHROME	4B7008

L555 Operating Requirements

min inlet pressure:	0.1 bar dynamic
max inlet pressure:	6.0 bar dynamic
max pressure loss ratio:	5:1
max temperature of incoming hot water:	65°C

Performance Characteristics

maintains water temperature within 2°C
designed in accordance with BS5412, BS1111 and BS1287
chrome plated to comply with ISO 9227

Pegler in Heaven with Community 7 Housing

Pegler is currently working with Community 7 Housing Association in Liverpool to deliver TMV2 compliant products for their maintenance contracts. The contracts have been running since 2006 and are so far proving a great success, with Pegler supplying the TMV2 L555 bath and shower mixer which has already been successfully installed in many tenants' homes.

TMV's are a legal requirement in Scotland and it seems likely they will be incorporated into the Building Regulations for England and Wales in the future. Many responsible groups, including Community 7 are already installing products certified by the BuildCert Scheme to stay ahead of likely legislative changes, but also to fulfil their duty of care to their residents.

Community 7 Assets Manager Carl Henderson said, "Compliance with TMV2 has been the key driver for this product. Given that the legislation is not current in England as yet, it was felt there was a need to respond sooner rather than later. Community 7 consider the welfare of our customers as paramount to our service delivery, which made a TMV2 bath and shower mixer an obvious choice to safeguard our tenants best interests."

Community 7 chose Pegler by reputation and most importantly, in the wake of tenant opinion, which came out in favour of Pegler products.

Carl Henderson explained, "Various enquiries led me to Pegler to advise on a product that could comply with TMV2 and at the same time offer a product that had potential low maintenance qualities. During my search, I discovered that Pegler is part of the Fusion supply chain and as such I was happy to present the product for consideration. Following consultation with Community 7 and our tenants, it was decided to embark on the supply for this Pegler shower mixer."

Looking to the future, Pegler will continue to work in partnership with groups like Community 7.

Pegler's recent commercial integration with sister company Yorkshire Fittings has enhanced the number of products and level of service the company can deliver to the social housing sector and the impact of this is already delivering positive benefits for existing customers.

More energy and water saving products for the Responsible Social Landlords sector

More Performa Leger products

Pegler also makes a range of Leger taps and mixers, for kitchens as well as bathrooms, to perfectly complement the L555 thermostatic bath/shower mixer. All Leger products use quarter turn ceramic disc technology, operate at low pressure and have handles designed for easy operation with bold clear markings.



Performa Eco range of water saving basin taps

The Performa Eco range of basin taps incorporate a flow restrictor to reduce water wastage to maximum 4 litres per minute (+ or - 15%). Available in traditional, cross top and lever handle options. Eco basin taps provide significant reductions in water wastage and are suitable for a wide variety of applications where saving water is a priority.



Additional Thermostat Solutions

The great Terrier thermostatic and manual radiator valve range has been specially developed to meet the needs of the social housing sector.

The Peglertherm 404 range has been designed specifically for the domestic markets, but it is also relevant for offices, hotels and leisure centre projects.



Pegler is an expert in the production of Taps, Mixers and Valve products. It boasts an unrivalled track record for integrity, quality, reliability and innovation.



Yorkshire is a specialist in the production of metal plumbing and heating fittings. It has an established reputation for manufacturing quality products.

PERFORMA

Utility Tap Solutions

For further information, about the full range of Leger fittings or other Performa products, please contact your appropriate Sales Office

UK

Northern team:
Telephone: 0870 1200281
Fax: 01302 560108

Southern team:
Telephone: 0870 1200282
Fax: 01302 560458

Western team:
Telephone: 0870 1200283
Fax: 01302 560109

Eastern team:
Telephone: 0870 1200282
Fax: 01302 560458

Email: uk.sales@pegler.co.uk

EXPORT

Telephone: +44 (0) 1302 855656
Fax: +44 (0) 1302 730513

Email: export@pegler.co.uk
Technical helpline: 0870 1200285



Pegler Limited, St. Catherine's Avenue,
Doncaster, South Yorkshire, DN4 8DF,
England.

www.pegleryorkshire.co.uk

Registered Company No. 01194543.
Place of Registration: England

All brand names and logo styles are registered trademarks. Maintaining a policy of continual product development, Pegler Ltd reserve the right to change specifications, design and materials of products listed in this leaflet without prior notice.
LIT.REF: 880107/14.05.07